

# MDV31/39

DIRECT VENT MULTI-SIDED SEE THROUGH FIREPLACE



The Ultimate in Design, Engineering & Quality

# The Ultimate in Zero Clearance Direct Vent Fireplaces for New Home Construction or Renovation

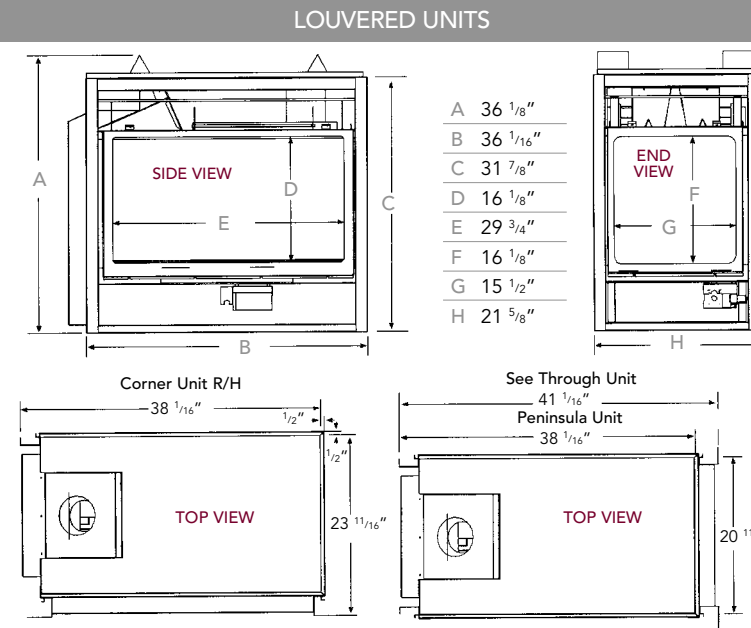
## MULTI-SIDED PENINSULA, CORNER or SEE THROUGH FIREPLACES

Kingsman's Direct Vent See Through model is easily adaptable to our patented Designer Clean View technology or standard louvers.

Enjoy an incredible line of options and styles – from contemporary to classic – plus the beauty and pleasure of a cozy fire.

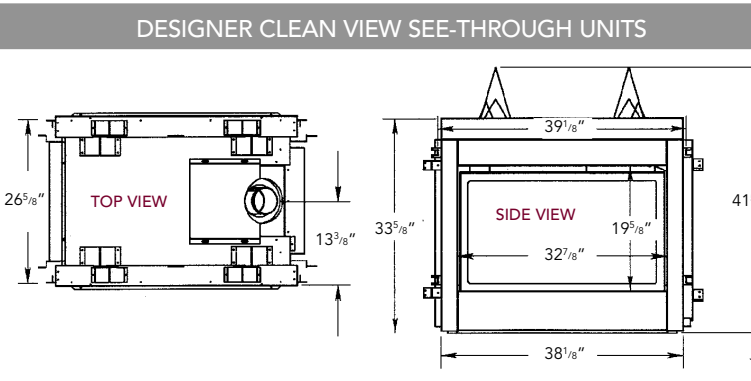


### YOUR BEST CHOICE FOR INSTALLATION ANYWHERE THROUGHOUT YOUR HOME.



MODEL	Height Framing	Back Width Framing	Depth Framing
Corner	37"	38 1/8"	23 3/4"
Peninsula	37"	38 1/8"	20 1/4"
See Through	37"	41 1/8"	20 5/8"

Minimum 42" height for combustible enclosure, with insulation sleeve.



Model	MDVL31N	MDVL39N	MDVL31LP
Fuel	MDVR31N	MDVR39N	MDVR31LP
Input Max.	natural	natural	propane
Glass Type	30,000 BTU	39,000 BTU	30,000 BTU
Certification	Tempered	Ceramic	Tempered
Bedroom Approved	Decorative	Decorative	Decorative
FE (P.4.1-02)	*Yes	*Yes	*Yes
	57.7%	56.6%	54.7%

\*Must be installed with listed thermostat in Canada. Check local jurisdiction in USA.

Enjoy the elegance and warmth of glowing embers and dancing flames around our seven piece cast split oak log set. It is sure to be the focal point of your home. Choose from a variety of decorative options to create your own distinctive appearance and be assured of complete safety, comfort and long lasting value from a manufacturer of wood and gas fireplaces with more than 30 years of experience.

Choose from a variety of views available: See Through, Left or Right Corner, or Peninsula.

Here is a fireplace that has a fully sealed combustion chamber with no pollution spillage to depreciate the indoor air quality of your home.

#### FEATURES\*

- Hi/low Millivolt valve with variable adjustment of flame and BTU.
- A flame sensor that constantly monitors the pilot flame and provides 100% gas shut off if pilot is not sensed.
- A triple burner with seven piece cast split oak log set with glowing ember bed and decorative ash bed.

#### OPTIONAL FEATURES

- Designer Clean View Circulating Kit – (Available as See Through only, see manual for framing instructions – Model MDV31 only)
- Grills – Black, Classic Series – Antique Brass, Chrome and Polish Brass
- Surrounds – (See Through only) – Black, Antique, Polish Brass, Chrome
- Fan Kit – Thermostatically controlled for automatic on/off operation and variable speed control
- Brick Refractory Liners – End Panel, Side Panel
- Thermostat – Wall Mount Millivolt, or Programmable Thermostat
- Remote Control – On/Off, Thermostat On/Off
- Overlay Arch Doors – (Large Glass Panel Only) Deluxe, Double Arch, Double Door, and Top Half
- Designer Doors – (Large Glass Panel Only) Arch or Straight Doors with Optional Antique, Chrome or Polish Brass Trims



The Ultimate in Design, Engineering & Quality

A Model MDVL31N Multi-Sided Direct Vent Fireplace in natural gas, LOGC31 Log Set – Seven Piece Cast Split Oak, M30CK Corner Kit, MGCKBL Grill Kit – Black and optional Refractory Liners MDV38RLE – End and MDV38RLS – Side.  
 B Model MDVR31N Multi-Sided Direct Vent Fireplace in natural gas, LOGC31 Log Set – Seven Piece Cast Split Oak, M39SK See Through Kit – Ceramic, MGSKBC Grill Kit – Classic Chrome and optional MDV38RLE Refractory Liners (2).

Kingsman Fireplaces maintains a program of continuous testing, refinement and improvements of all its products. Some aspect of units shown here may be changed at any time without notice or obligation.  
 Certification: The models are certified for USA and Canada. Certified to: ANSI Z21.50-2002/CSA 2.22-2002, CSA P.4.1-02 as a Vented Gas Fireplace.  
 \*Components may have to be ordered separately to create a complete unit. Discuss with your local Kingsman dealer for clarification.



2340 Logan Avenue  
 Winnipeg, Manitoba, Canada R2R 2V3  
 Phone: (204) 632-1962 Fax: (204) 632-1960  
[www.kingsmanfireplaces.com](http://www.kingsmanfireplaces.com)

# MDV31/39

## DIRECT VENT MULTI-SIDED PENINSULA FIREPLACE



The Ultimate in Design, Engineering & Quality